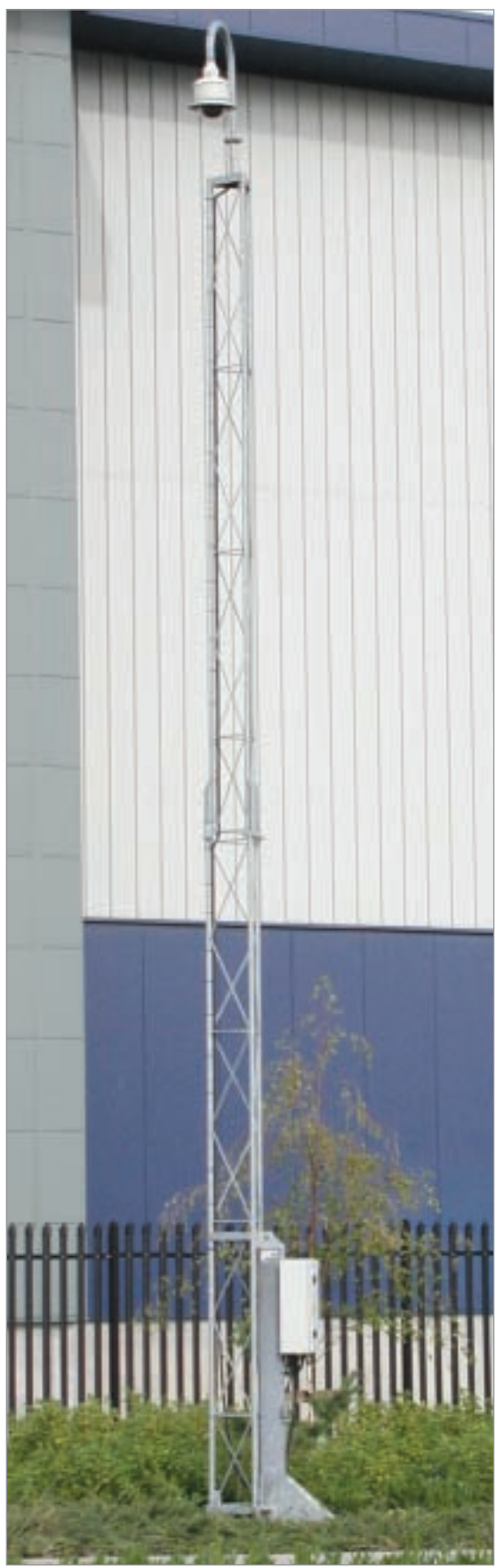


# Modular Towers & Columns ←





### ACC

#### 4.5-15 metres

The ACC CCTV Camera columns are the most widely used and the most cost effective solution for mounting any camera. Available in both static and tilt down models the product is a common sight on nearly every commercial area in the UK and in many around the world.

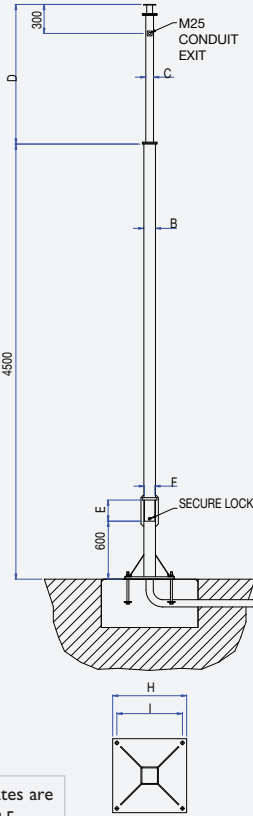
#### Features

- o Modular construction for ease of assembly and installation on site
- o Ideal for restricted access areas
- o Provides stable structure for all camera types
- o Demountable winches ensure tilt down models are secure and reduces costs on multiple installations
- o Additional Security for tilting operation is achieved by padlockable bolt
- o Tilt Down models can usually be operated by a single operator, reducing maintenance costs
- o Lockable access as standard on all models
- o Tilt Down models available in both bolt down and embedded base versions
- o Able to accept all appropriate Altron Accessories and Bracketry

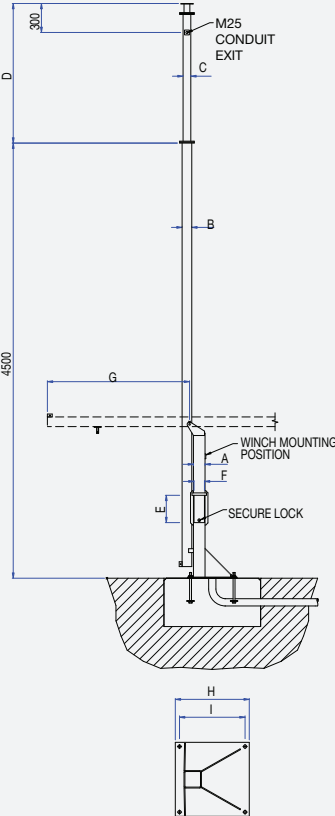


## ACC

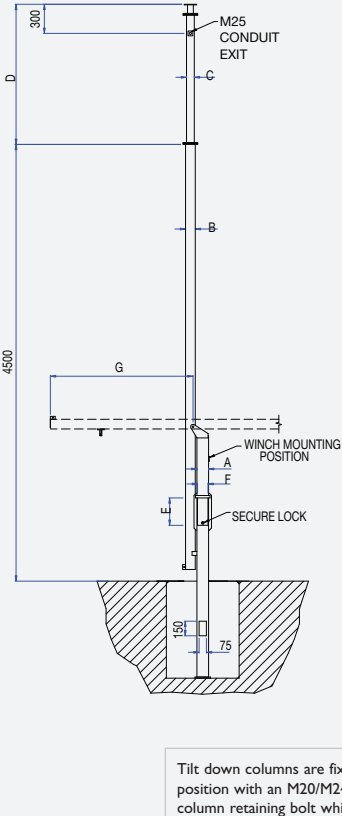
**FB**  
Fixed Base



**BP**  
Base Post



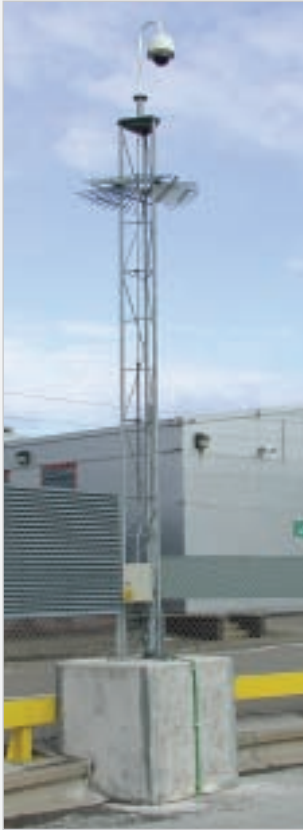
**PM**  
Post Mounted



All camera mounting plates are DIA 127 with 8 No Ø 8.5 equi-spaced on 101.6 PCD. Ø 40 thro' column spacer

Tilt down columns are fixed in the vertical position with an M20/M24 nut screwed onto the column retaining bolt which enters into the secure access hatch through the front of the post. This is then padlockable to stop unauthorised tilting.

Model No.	Height in metres	Payload eqpt capacity	Max eqpt windload m <sup>2</sup>	Post type	Post size A	Lower section B	Mid section B2	Upper section C	Extension length D	Holding down bolt centres I	Holding down bolt size	Base plate size H	Door height E	Door width F	Column rear clearance when tilting G	Winch
ACC1 Standard Duty	4.5	75kgs	0.5m <sup>2</sup>	FB	-	100x100	-	-	-	350 <sup>2</sup>	M16x200	405 <sup>2</sup>	205	90	-	N/A
		75kgs	0.5m <sup>2</sup>	PM	120x120	100x100	-	-	-	-	-	-	285	110	1700	DW1000/AC
		75kgs	0.5m <sup>2</sup>	BP	120x120	100x100	-	-	-	450 <sup>2</sup>	M20x300	510 <sup>2</sup>	285	110	1700	DW1000/AC
ACC2 Standard Duty	6	50kgs	0.5m <sup>2</sup>	FB	-	120x120	-	90x90	1500	450 <sup>2</sup>	M20x300	510 <sup>2</sup>	205	110	-	N/A
		50kgs	0.5m <sup>2</sup>	PM	120x120	100x100	-	80x80	1500	-	-	-	285	110	1700	DW1000/AC
		50kgs	0.5m <sup>2</sup>	BP	120x120	100x100	-	80x80	1500	450 <sup>2</sup>	M20x300	510 <sup>2</sup>	285	110	1700	DW1000/AC
ACC2HD Heavy Duty	6	75kgs	0.75m <sup>2</sup>	FB	-	150x150	-	100x100	1500	450 <sup>2</sup>	M20x300	510 <sup>2</sup>	285	140	-	N/A
		75kgs	0.75m <sup>2</sup>	PM	120x120	120x120	-	90x90	1500	-	-	-	285	110	1700	DW1000/AC
		75kgs	0.75m <sup>2</sup>	BP	120x120	120x120	-	90x90	1500	450 <sup>2</sup>	M20x300	510 <sup>2</sup>	285	110	1700	DW1000/AC
ACC3 Standard Duty	7.5	40kgs	0.5m <sup>2</sup>	FB	-	150x150	-	100x100	3000	450 <sup>2</sup>	M20x300	510 <sup>2</sup>	285	140	-	N/A
		40kgs	0.5m <sup>2</sup>	PM	150x150	120x120	-	90x90	3000	-	-	-	335	140	2000	DW1500/AC
		40kgs	0.5m <sup>2</sup>	BP	150x150	120x120	-	90x90	3000	550 <sup>2</sup>	M24x400	630 <sup>2</sup>	335	140	2000	DW1500/AC
ACC3HD Heavy Duty	7.5	60kgs	0.75m <sup>2</sup>	FB	-	200x200	-	120x120	3000	550 <sup>2</sup>	M24x400	630 <sup>2</sup>	335	185	-	N/A
		60kgs	0.75m <sup>2</sup>	PM	150x150	150x150	-	100x100	3000	-	-	-	335	140	2000	DW1500/AC
		60kgs	0.75m <sup>2</sup>	BP	150x150	150x150	-	100x100	3000	550 <sup>2</sup>	M24x400	630 <sup>2</sup>	335	140	2000	DW1500/AC
ACC4 Standard Duty	9	30kgs	0.3m <sup>2</sup>	FB	-	150x150	-	100x100	4500	550 <sup>2</sup>	M24x400	630 <sup>2</sup>	285	140	-	N/A
		30kgs	0.3m <sup>2</sup>	PM	150x150	150x150	-	100x100	4500	-	-	-	335	140	2000	DW2500/AC
		30kgs	0.3m <sup>2</sup>	BP	150x150	150x150	-	100x100	4500	550 <sup>2</sup>	M24x400	630 <sup>2</sup>	335	140	2000	DW2500/AC
ACC4HD Heavy Duty	9	75kgs	0.75m <sup>2</sup>	FB	-	200x200	-	150x150	4500	550 <sup>2</sup>	M24x400	630 <sup>2</sup>	335	185	-	N/A
		75kgs	0.75m <sup>2</sup>	PM	200x200	200x200	-	150x150	4500	-	-	-	335	185	2400	DW2500/HD
		75kgs	0.75m <sup>2</sup>	BP	200x200	200x200	-	150x150	4500	700 <sup>2</sup>	M27x600	800 <sup>2</sup>	335	185	2400	DW2500/HD
ACC12	12	30kgs	0.25m <sup>2</sup>	PM	200x200	200x200	150x150	100x100	4400 3000	-	-	-	335	185	2400	DW2500/HD
		30kgs	0.25m <sup>2</sup>	BP	200x200	200x200	150x150	100x100	4400 3000	700 <sup>2</sup>	M27x600	800 <sup>2</sup>	335	185	2400	DW2500/HD
ACC15	15	20kgs	0.16m <sup>2</sup>	PM	200x200	200x200	150x150	100x100	5000 5000	-	-	-	335	185	2400	DW2500/HD
		20kgs	0.16m <sup>2</sup>	BP	200x200	200x200	150x150	100x100	5000 5000	700 <sup>2</sup>	M27x600	800 <sup>2</sup>	335	185	2400	DW2500/HD



### ACT

#### 4.5-15 metres

The **ACT CCTV Camera columns** are a widely used and cost effective solution for camera mounting. Available in both static and tilt down models the product is a common sight in commercial areas just like its sister the **ACC**. Its low surface area makes it ideal for exposed locations such as deserts and coastal locations.

#### Features

- o Modular construction for ease of assembly and installation on site
- o Ideal for restricted access areas
- o Provides stable structure for all camera types
- o Demountable winches ensure tilt down models are secure and reduces costs on multiple installations
- o Tilt Down models can usually be operated by a single operator, reducing maintenance costs
- o Lockable access available as an option on tilt down models
- o Tilt Down models available in both bolt down and embedded base versions
- o Able to accept all appropriate Alton Accessories and Bracketry
- o Static version includes built in ladder rungs
- o Conduits for cables available as an option
- o Available with AWI697 Cabinet if required (See page 12)

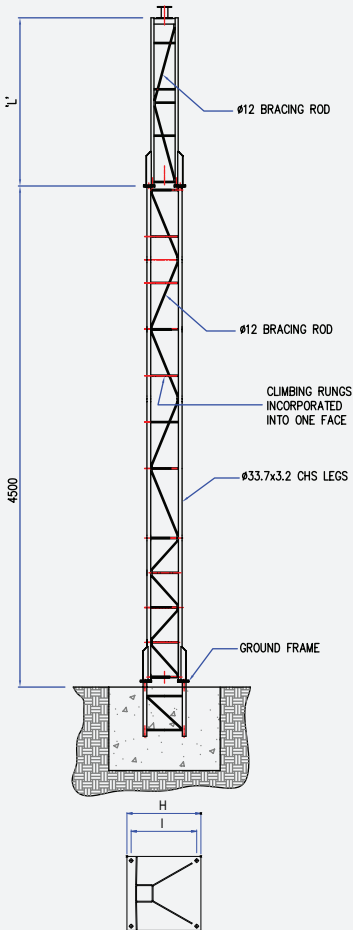




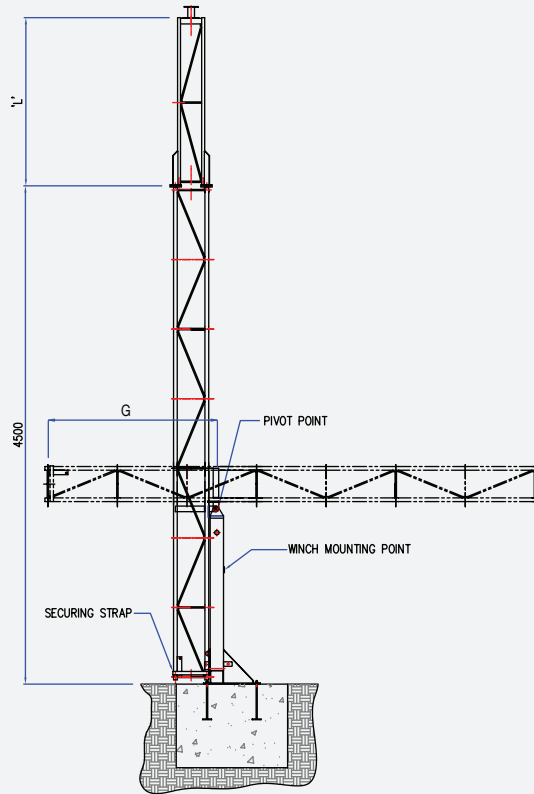
## ACT

All camera mounting plates are DIA 127 with 8 No Ø 8.5 equi-spaced on 101.6 PCD.

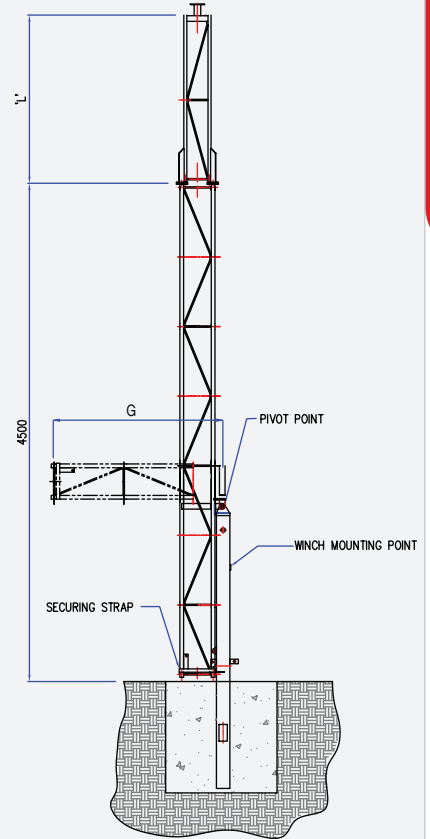
### FB Fixed Base



### BP Base Plate



### PM Post Mounted



Model No.	Height In metres	Tower type	Payload eqpt capacity	Recom. max eqpt windload	Post size mm	Lower section face width	Mid section face width	Top section face width	Mid length metres L	Top length metres	Base plate size H	Holding down bolt centres I	Holding down bolt size	Tower rear clearance when tilting G	Winch
ACT1	4.5	FB	80kgs	0.75m <sup>2</sup>	-	316	-	-	-	-	-	-	-	-	N/A
Standard		PM	80kgs	0.75m <sup>2</sup>	120 x 120	316	-	-	-	-	-	-	-	1700	DW1000/AT
Duty		BP	80kgs	0.75m <sup>2</sup>	120 x 120	316	-	-	-	-	510 <sup>2</sup>	450 <sup>2</sup>	M20 x 300	1700	DW1000/AT
ACT2	6	FB	75kgs	0.75m <sup>2</sup>	-	316	-	244	-	1.5	-	-	-	-	N/A
Standard		PM	75kgs	0.75m <sup>2</sup>	120 x 120	316	-	244	-	1.5	-	-	-	1700	DW1000/AT
Duty		BP	75kgs	0.75m <sup>2</sup>	120 x 120	316	-	244	-	1.5	510 <sup>2</sup>	450 <sup>2</sup>	M20 x 300	1700	DW1000/AT
ACT3	7.5	FB	50kgs	0.6m <sup>2</sup>	-	316	-	244	-	3	-	-	-	-	N/A
Standard		PM	50kgs	0.6m <sup>2</sup>	120 x 120	316	-	244	-	3	-	-	-	1700	DW1500/AT
Duty		BP	50kgs	0.6m <sup>2</sup>	120 x 120	316	-	244	-	3	510 <sup>2</sup>	450 <sup>2</sup>	M20 x 300	1700	DW1500/AT
ACT3HD	7.5	FB	80kgs	0.75m <sup>2</sup>	-	386	-	316	-	3	-	-	-	-	N/A
Heavy		PM	80kgs	0.75m <sup>2</sup>	150 x 150	386	-	316	-	3	-	-	-	2000	DW1500/ATHD
Duty		BP	80kgs	0.75m <sup>2</sup>	150 x 150	386	-	316	-	3	630 <sup>2</sup>	550 <sup>2</sup>	M24 x 300	2000	DW1500/ATHD
ACT4	9	FB	60kgs	0.5m <sup>2</sup>	-	386	-	316	-	4.5	-	-	-	-	N/A
Heavy		PM	60kgs	0.5m <sup>2</sup>	150 x 150	386	-	316	-	4.5	-	-	-	2000	DW1500/ATHD
Duty		BP	60kgs	0.5m <sup>2</sup>	150 x 150	386	-	316	-	4.5	630 <sup>2</sup>	550 <sup>2</sup>	M24 x 300	2000	DW1500/ATHD
ACT12	12	BP	30kgs	0.25m <sup>2</sup>	180 x 180	386	316	244	4.5	3	630 <sup>2</sup>	550 <sup>2</sup>	M24 x 400	2200	DW2500/AT
		PM	30kgs	0.25m <sup>2</sup>	180 x 180	386	316	244	4.5	3	-	-	-	2200	DW2500/AT
ACT14	14	BP	*50kgs	0.5m <sup>2</sup>	200 x 200	475	-	386	-	7	800 <sup>2</sup>	700 <sup>2</sup>	M27 x 600	2500	DW1500/AT14
Telescopic		PM	*50kgs	0.5m <sup>2</sup>	200 x 200	475	-	386	-	-	-	-	-	2500	DW1500/AT14



## AW1697

4.5-15 metres

Based on the ACC range the AW1697 is a widely used modular tilt-down cabinet based column. The large cabinet base is ideally suited to install all control equipment. Popular for utilities applications where modular products required but with a cabinet built in.

### Features

- Modular construction allows easier transportation and installation than traditional cabinet based poles
- Stable structure for both fixed, pan and tilt and dome cameras as all units manufactured in heavy sections for maximum rigidity
- Demountable winches ensure a secure installation, reducing costs on multiple installations
- Tilting down can usually be carried out by a single operator
- This range accepts all appropriate Altron accessories and bracketry
- Constructed in high tensile steel and hot dip galvanised after fabrication for durability and use in saline/hostile environments
- Additional security for tilting operation is achieved by padlockable bolt
- Available with lattice tower sections as an option for exposed areas



## ACC Telescopic Column

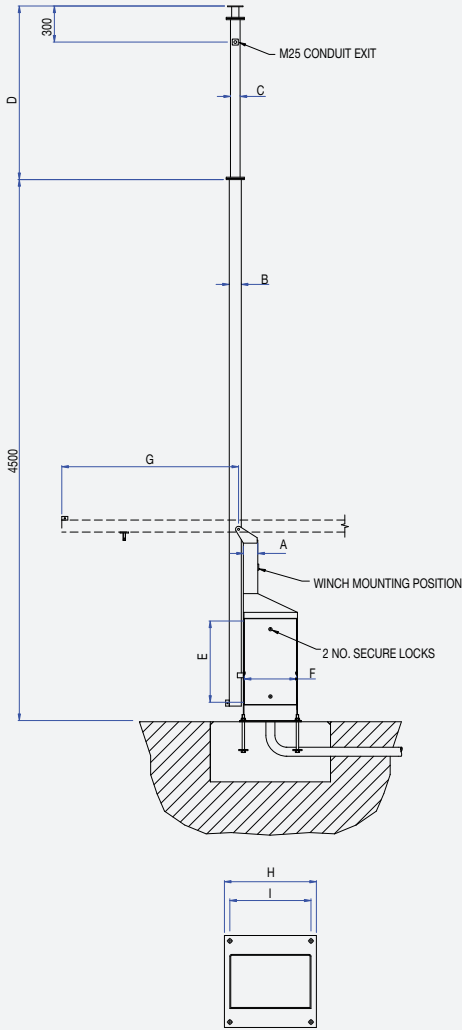
4 - 8m

One of Altron's innovative developments this telescopic version of our ACC model is available in heights from 4 - 8 m. The telescopic action makes this unit an easy to use unit that is destined to become an industry standard.

### Features

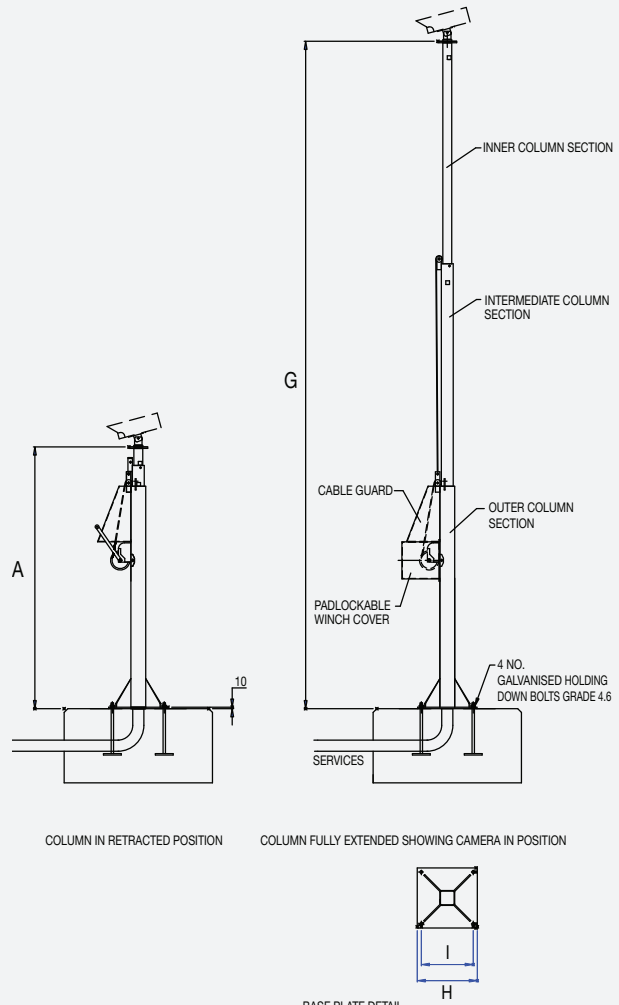
- Stable structure for both fixed, pan and tilt and dome cameras as all units manufactured in heavy galvanised sections for maximum rigidity
- Telescoping action allows height of cameras to be adjusted to preferred height anywhere in between minimum and maximum height
- This range accepts all appropriate Altron accessories and bracketry
- Lockable winch cover with removable handle ensures unit suitable for use in public areas
- Ideally suited for temporary installations or where heights need to be adjusted to suit viewing needs
- Constructed in high tensile steel and hot dip galvanised after fabrication for durability and use in saline/hostile environments

## AW1697 Cabinet Base Column



Tilt down columns are fixed in the vertical position with an M20/M24 nut screwed onto the column retaining bolt which enters into the secure access hatch through the front of the post. This is then padlockable to stop unauthorised tilting.

## Telescopic 3 section mast column



COLUMN IN RETRACTED POSITION

COLUMN FULLY EXTENDED SHOWING CAMERA IN POSITION

BASE PLATE DETAIL

TELESCOPIC COLUMN SUITABLE FOR RESTRICTED SITE ACCESS LOCATIONS. E.G. RAILWAY YARDS/PLATFORMS WHERE CAMERA NEEDS TO BE SERVICED AT GROUND LEVEL

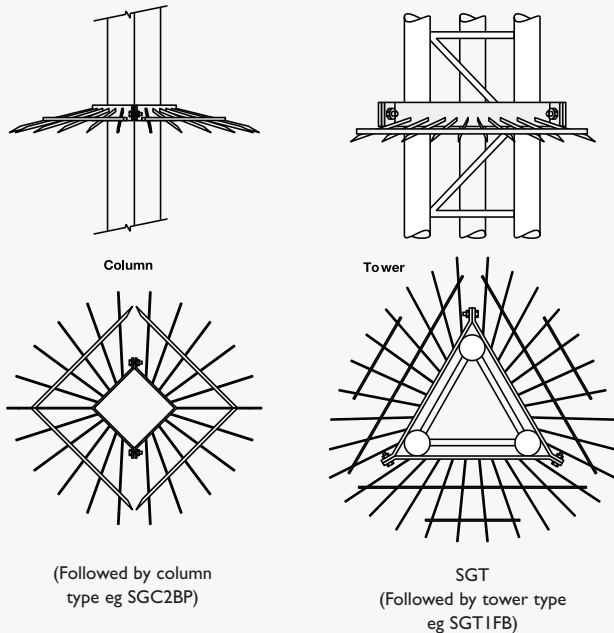
All camera mounting plates are DIA 127 with 8 No Ø 8.5 equi-spaced on 101.6 PCD. Ø 40 thro' column spacer

Model No.	Height in metres	Payload eqpt capacity	Max eqpt capacity	Post type	Post size A	Lower section B	Mid section B2	Upper section C	Ext. length D 1	Ext. length D 2	Base plate size H	Holding down bolt centres I	Holding down bolt size	Door height E	Door width F	Column rear clearance when tilting G	Winch
AW1697/4.5	4.5	75kgs	0.5m <sup>2</sup>	BP	120x120	100x100	-	-	-	-	510 <sup>2</sup>	450 <sup>2</sup>	M20x300	600	350	1700	DW1000/97
AW1697/6	6	50kgs	0.5m <sup>2</sup>	BP	120x120	100x100	-	80x80	1500	-	510 <sup>2</sup>	450 <sup>2</sup>	M20x300	600	350	1700	DW1000/97
AW1697/6HD	6	75kgs	0.75m <sup>2</sup>	BP	120x120	120x120	-	90x90	1500	-	510 <sup>2</sup>	450 <sup>2</sup>	M20x300	600	350	1700	DW1000/97
AW1697/7.5	7.5	40kgs	0.5m <sup>2</sup>	BP	150x150	120x120	-	90x90	3000	-	630 <sup>2</sup>	550 <sup>2</sup>	M24x400	600	350	2000	DW1500/97
AW1697/7.5HD	7.5	60kgs	0.75m <sup>2</sup>	BP	150x150	150x150	-	120x120	3000	-	630 <sup>2</sup>	550 <sup>2</sup>	M24x400	600	350	2000	DW1500/97
AW1697/9	9	30kgs	0.3m <sup>2</sup>	BP	150x150	150x150	-	100x100	4500	-	630 <sup>2</sup>	550 <sup>2</sup>	M24x400	600	350	2000	DW2500/97
AW1697/9HD	9	50kgs	0.5m <sup>2</sup>	BP	200x200	200x200	-	120x120	4500	-	800 <sup>2</sup>	700 <sup>2</sup>	M27x600	600	350	2400	DW2500/97HD
AW1697/12	12	30kgs	0.3m <sup>2</sup>	BP	200x200	200x200	150x150	100x100	4400	3000	800 <sup>2</sup>	700 <sup>2</sup>	M27x600	600	350	2400	DW2500/97HD
AW1697/15	15	15kgs	0.2m <sup>2</sup>	BP	200x200	200x200	150x150	100x100	5000	5000	800 <sup>2</sup>	700 <sup>2</sup>	M27x600	600	350	2400	DW2500/97HD

### Telescopic Columns

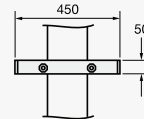
	Full Height G	Retracted Height A															
ACC/TELE/4	4	50kgs	0.5m <sup>2</sup>	FB	-	100x100	80x80	60x60	-	-	405 <sup>2</sup>	350 <sup>2</sup>	M16x200	-	90	1700	Included
ACC/TELE/6	6	50kgs	0.5m <sup>2</sup>	FB	-	120x120	100x100	80x80	-	-	510 <sup>2</sup>	450 <sup>2</sup>	M20x300	280	110	2500	Included
ACC/TELE/8	8	50kgs	0.3m <sup>2</sup>	FB	-	120x120	100x100	80x80	-	-	510 <sup>2</sup>	450 <sup>2</sup>	M20x300	280	110	3700	Included

## Anti climb frames



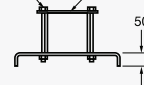
## Ladder stays

Retro fit for Box Section Columns



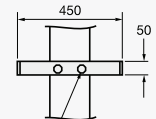
2 No. M10 stainless steel bolts

Back plate

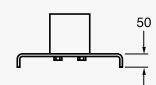


(Followed by column type eg LSI/C/2BP)

Bolted to fit



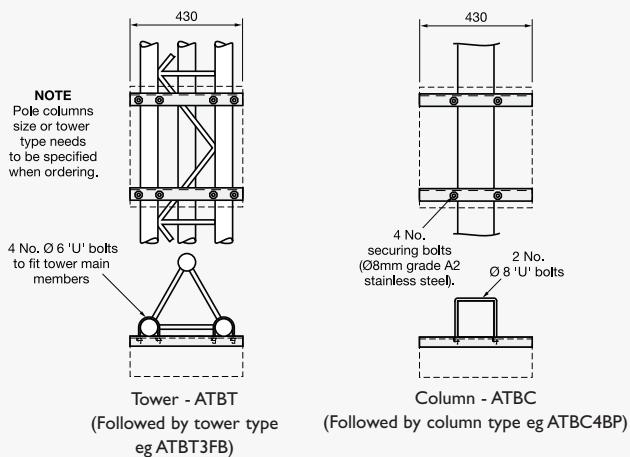
Bolted to box section columns. Welded to circular section poles.



LSI  
(Purchase with pole/column) eg LSI/2FB

## Adjustable box mounting/telemetry brackets

**NOTE**  
Pole columns size or tower type needs to be specified when ordering.



### Fitting adjustable telemetry receiver bracket

1. Drill aluminium channels to fit hole centre on receiver box (one channel across the bottom, one across the top)
2. Bolt channels to the box
3. Trim channels to the width of the box using hacksaw
4. Bolt the box to the column/pole/tower using the 'U' bolts supplied

For a full range of accessories including camera mounted accessories please see page 59









### AEC & ARC Range

**A heavy duty range of fabricated steel cabinets, which are hot dip galvanised for maximum weather protection, providing substantial, secure and vandal resistant equipment housing.**

### Features

- Heavy duty fabricated construction (no bolts or rivets);
- High durability – Long life span due to hot dip galvanised coating and polyester powder coated finish;
- Heavy duty stainless steel security locks as standard;
- ARC Cabinet door is lift out and sits in a full length lower channel – with 2.No. security locks at high levels this gives increased security (securing all four corners of the door);
- AEC Cabinet has a hinged door with internal hinges giving a high level of security;
- ARC Cabinet complete with quick release – lift out 15mm thick treated plywood backboard;
- AEC Cabinet complete with 19" rack mounting posts (backboards can be provided);
- Standard colours are 14C39 Holly Bush Green or Black.
- Earth lugs within body of cabinet and doors.
- Convection air circulation and venting as standard.



### Options

- Circulating fan with dust filtration
- Thermostat & heater
- Cabinet produced in grade 304 stainless steel
- 4 Point door locking mechanism
- Paint colours to BS/RAL colour charts
- A4 document holder
- Swing frame 19" rack mounting in AEC cabinets
- Twin compartments
- Shelving
- Special application/ bespoke cabinets to suit customer requirements



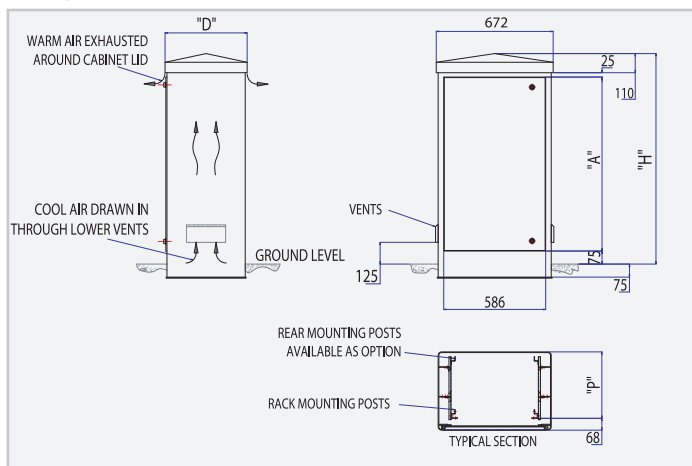
## AEC Equipment Enclosure Range

Model No.	Height H	Depth D	Maximum Mounting Depth M	Door Aperture A x 516	Base Aperture Width x Depth	Mounting Post Height
AEC-90-65-45	900	450	400	650 x 516	520 x 270	15u
AEC-90-65-65	900	650	600	650 x 516	520 x 370	15u
AEC-111-65-45	1100	450	400	850 x 516	520 x 270	20u
AEC-111-65-65	1100	650	600	850 x 516	520 x 370	20u
AEC-13-65-45	1300	450	400	1050 x 516	520 x 270	25u
AEC-13-65-65	1300	650	600	1050 x 516	520 x 370	25u
AEC-16-65-45	1600	450	400	1250 x 516	520 x 270	30u
AEC-16-65-65	1600	650	600	1250 x 516	520 x 370	30u

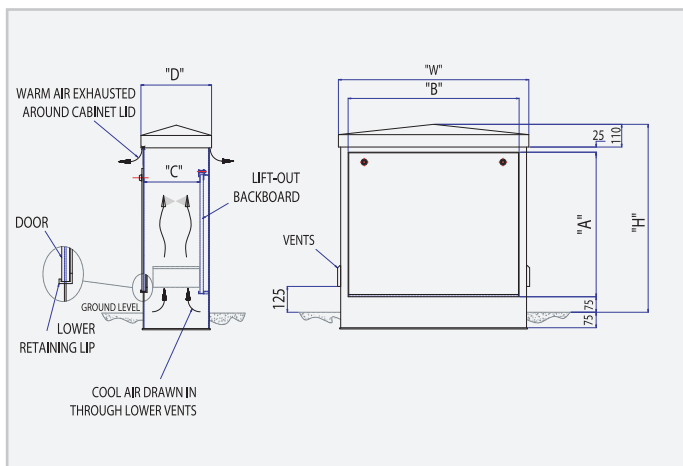
## ARC Roadside Enclosure Range

Model No.	Height H	Width W	Depth D	Working Depth C	Back Board Height x Width	Door Aperture A x B	Base Aperture Height x Width
ARC-90-60-32	900	600	320	220	700 x 470	650 x 475	470 x 170
ARC-90-90-32	900	900	320	220	700 x 770	650 x 775	770 x 170
ARC-90-12-32	900	1200	320	220	700 x 1070	650 x 1075	1070 x 170
ARC-12-60-32	1200	600	320	220	1000 x 470	950 x 475	470 x 170
ARC-12-90-32	1200	900	320	220	1000 x 770	950 x 775	770 x 170
ARC-12-12-32	1200	1200	320	220	1000 x 1070	950 x 1075	1070 x 170
ARC-90-60-42	900	600	420	320	700 x 470	650 x 475	470 x 270
ARC-90-90-42	900	900	420	320	700 x 770	650 x 775	770 x 270
ARC-90-12-42	900	1200	420	320	700 x 1070	650 x 1075	1070 x 270
ARC-12-60-42	1200	600	420	320	1000 x 470	950 x 475	470 x 270
ARC-12-90-42	1200	900	420	320	1000 x 770	950 x 775	770 x 270
ARC-12-12-42	1200	1200	420	320	1000 x 1070	950 x 1075	1070 x 270

### AEC



### ARC



## → Cabinets

